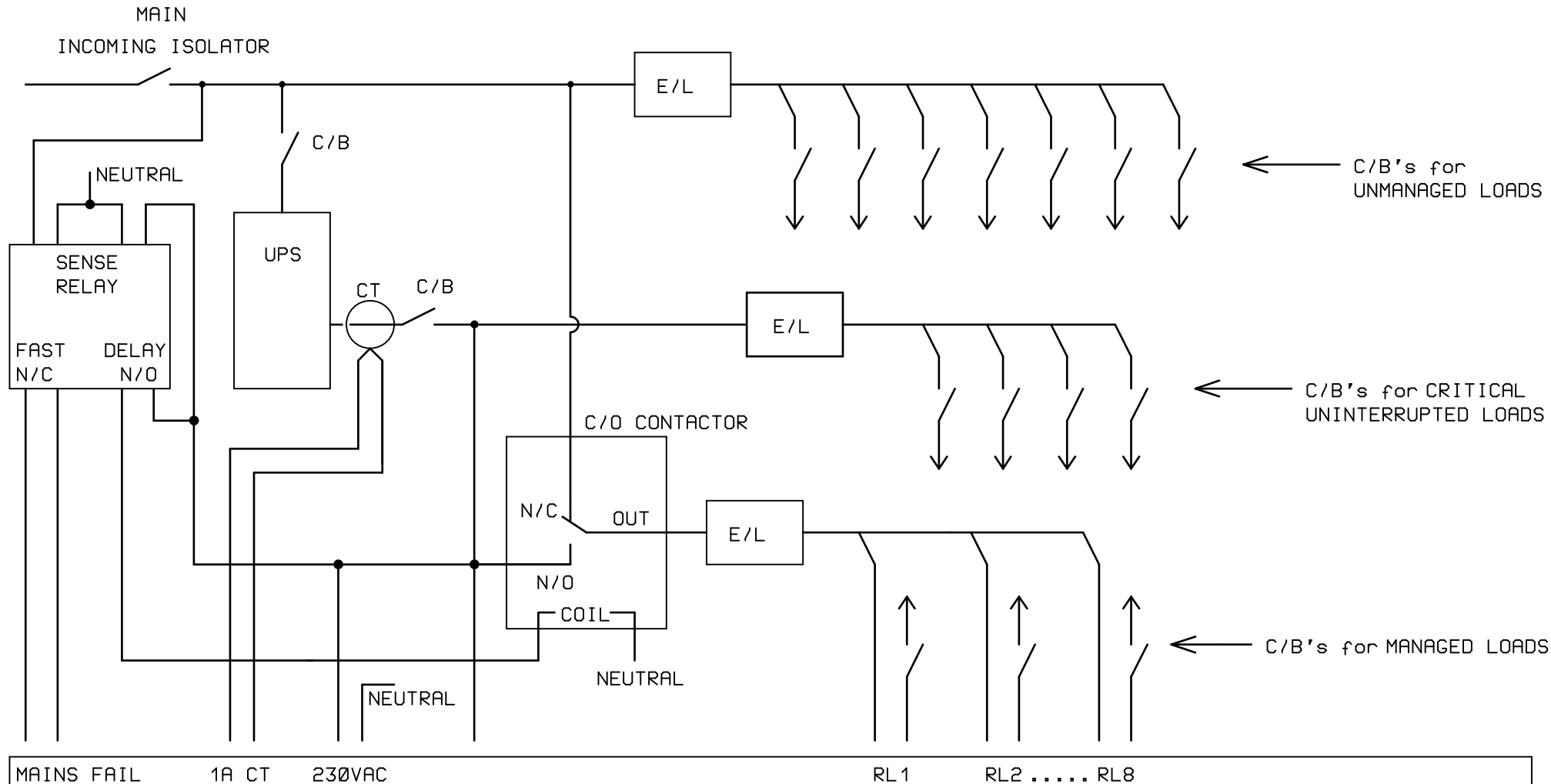


# INVERTER / DPM30-8 INSTALLATION



PowerGuard DPM30-8